

IMPORTANT INFORMATION

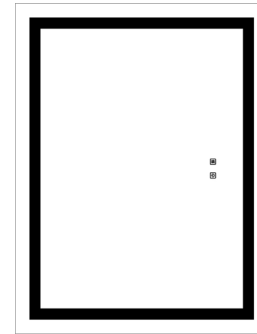
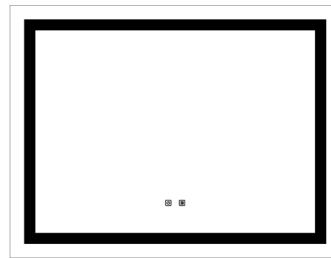
To avoid the risk of electrocution, please turn OFF the electricity supply mains before commencing the installation.

Do not stand the mirror upright on hard surfaces whilst fitting as this will damage the edge. Keep the plastic corner protectors on until installation is fully completed.



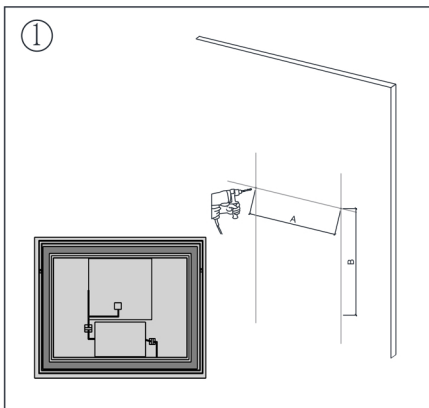
Tips:

The mirror can be Horizontally Mounted or Vertically Mounted.

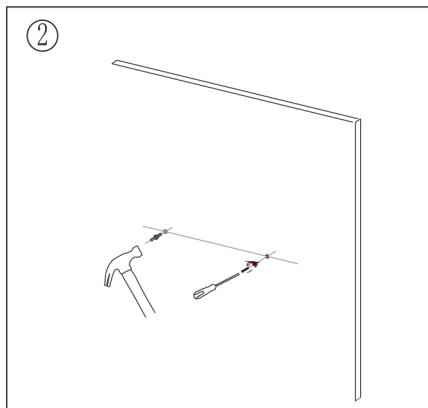


1. Installation

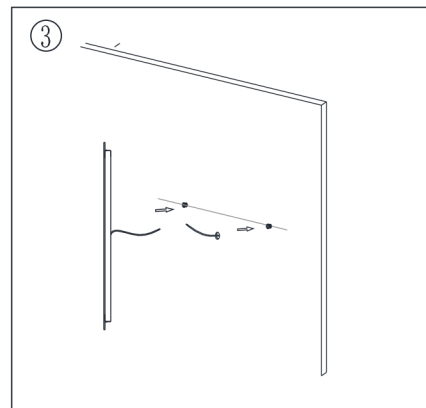
Note: Keep the plastic corner protectors on until installation is fully completed.



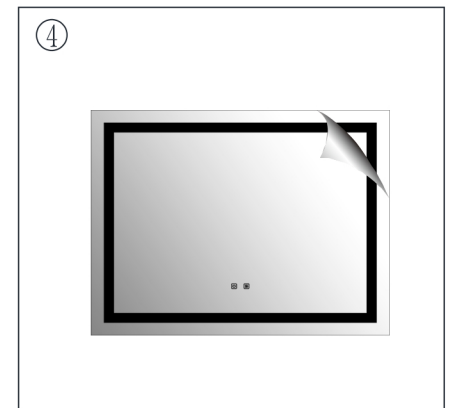
① Measure the distance of the mounting hole, Drill holes with a suitable sized drill.



② Insert the anchor and mounting screw into the wall.



③ Connect the mirror wires with your main wires and hang the mounting hole to the screw on the wall.

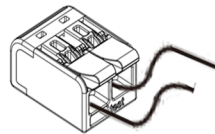


④ Peel off the protective film and clean the mirror with a soft cloth.

2. Power Connection Instruction

Before you start the installation, please ensure that:
-the wall where the product is being installed is able to support the weight of the product
-the main electrical supply has been powered off to complete installation

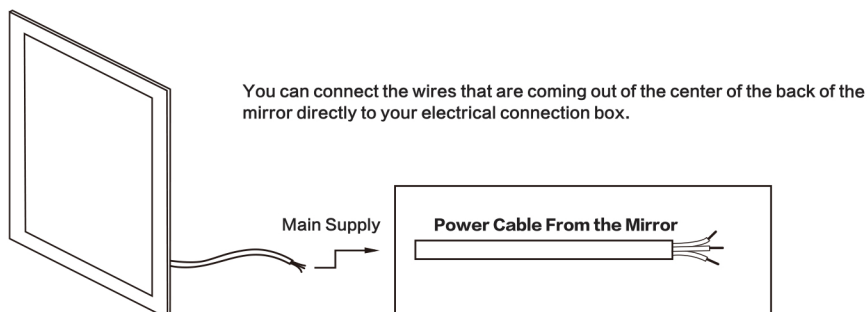
The terminal connection method: A power cord on the wall is connected to a power cord on the mirror. There are 3 terminals in total.



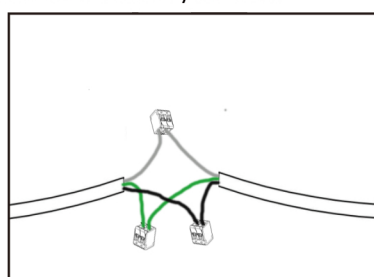
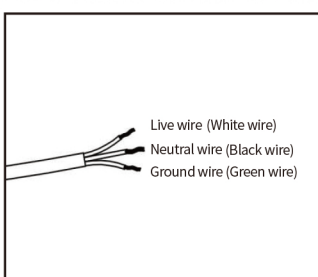
There are two wiring methods:

1, Connect the wire of the mirror to the wire of the wall switch.

- (1) You would see there three wires with three colors--white, green and black.
- (2) Safely connect these three wires one by one to the wires of the wall switch in your home.



- Green=GROUND wire connect to the ground wire in your box, or to the box as a ground
- White=LIVE wire connect to the White LIVE wire in your box.
- Black=Neutral wire connect to the Black Neutral wire in your box.



2, Connect the wire of the mirror to the wire of the plug and plug it into the socket

The plug has three wires,

- Green=GROUND wire connect to the middle wire of the plug.
- White=LIVE wire connect to the wire with the plug with four wires on it.
- Black=Neutral wire connect to the wire with a smooth surface of the plug

Operation

Lights and defogging will be automatically turned on when the power is turned on.

Lighting Color Adjust

Short touch the power button to adjust the lighting color.

It has three colors to select, natural light/warm yellow/white light



1. Short touch the power button to turn the light ON/OFF.

Short touch again to choose the light (natural light/warm yellow/white light).

2. Long touch the power button to dim the currently selected light.



3. The defogging function will turn off automatically after one hour in order to save electricity. If you want to re-open this function, you can re-touch the switch.